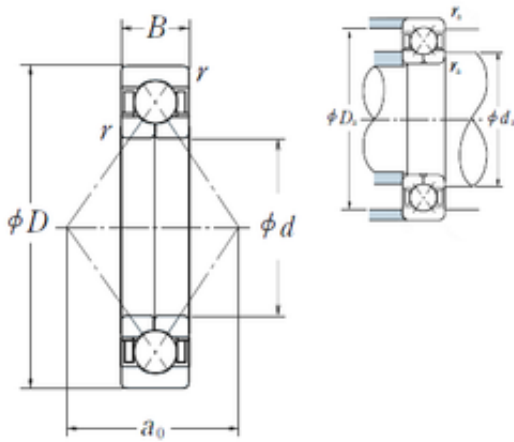




SKF BEARING MANUFACTURING CO.,LTD.



120 mm x 180 mm x 28 mm NSK QJ 1024
angular contact ball bearings

Bearing No. QJ 1024

Size	120x180x28 mm
Bore Diameter	120 mm
Outer Diameter	180 mm
Width	28 mm
d	120 mm
D	180 mm
B	28 mm
C	28 mm
Angle (°)	35 °
a	105 mm
r min.	2 mm
da min.	130 mm
da max	170 mm
ra max.	2 mm
Weight	2,65 Kg
Basic dynamic load rating (C)	147 kN
Basic static load rating (C0)	350 kN
(Grease) Lubrication Speed	2 600 r/min

QJ 1024 Bearing 2D drawings and 3D CAD models