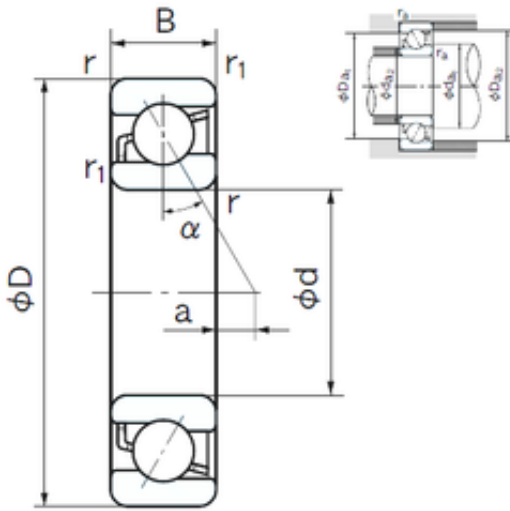




SKF BEARING MANUFACTURING CO.,LTD.



7024 Bearing 2D drawings and 3D CAD models

120 mm x 180 mm x 28 mm NACHI 7024 angular contact ball bearings

Bearing No. 7024

Size	120x180x28 mm
Bore Diameter	120 mm
Outer Diameter	180 mm
Width	28 mm
d	120 mm
D	180 mm
B	28 mm
C	28 mm
Angle (°)	30 °
a	29.3 mm
r min.	2 mm
r1 min.	1 mm
da min.	128 mm
Da max.	172 mm
ra max.	2 mm
Weight	2.27 Kg
Basic dynamic load rating (C)	96,5 kN
Basic static load rating (C0)	103 kN
(Grease) Lubrication Speed	2900 r/min
Configuration	Single Row
Enclosure	Open
Bore Type	Cylindrical Bore
Bore Size	120 mm
Outside Diameter	180 mm
Width	28 mm



SKF BEARING MANUFACTURING CO.,LTD.

Fillet Radius/Chamfer	2 mm
r1	1 mm
Dynamic Load Rating	96,500 N
Static Load Rating	103,000 N
Limiting Speed - Grease	2,900 rpm
Limiting Speed - Oil	3,800 rpm
da1 (min)	128 mm
da2 (min)	128 mm
Da1 (max)	172 mm
Da2 (max)	175 mm
ra (max)	2 mm
ra1 (max)	1 mm