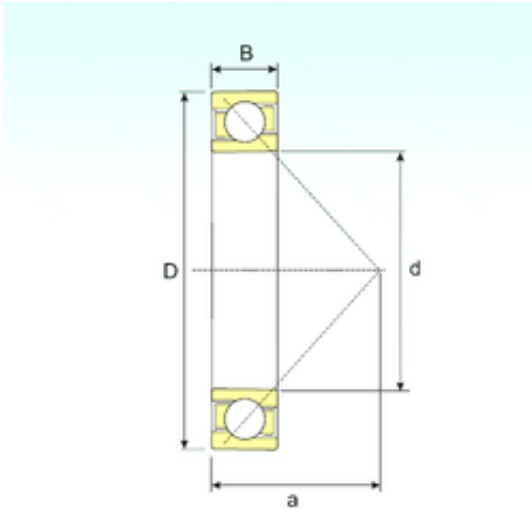




SKF BEARING MANUFACTURING CO.,LTD.



120 mm x 180 mm x 28 mm ISB 1024 B angular contact ball bearings

Bearing No. 1024 B

Size	120x180x28 mm
Bore Diameter	120 mm
Outer Diameter	180 mm
Width	28 mm
d	120 mm
D	180 mm
B	28 mm
C	28 mm
a	77 mm
Weight	2,4 Kg
Basic dynamic load rating (C)	87,1 kN
Basic static load rating (C0)	69,5 kN
(Grease) Lubrication Speed	2950 r/min

1024 B Bearing 2D drawings and 3D CAD models