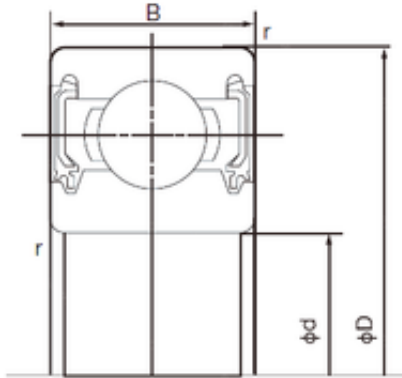




SKF BEARING MANUFACTURING CO.,LTD.

15 mm x 42 mm x 13 mm NACHI 6302-2NKE9
deep groove ball bearings



Bearing No. 6302-2NKE9

6302-2NKE9 Bearing 2D drawings and 3D CAD models

Size	15x42x13 mm
Bore Diameter	15 mm
Outer Diameter	42 mm
Width	13 mm
d	15 mm
D	42 mm
B	13 mm
C	13 mm
r min.	1.0 mm
Basic dynamic load rating (C)	11,4 kN
Basic static load rating (C0)	5,4 kN
Bore Type	Cylindrical Bore
Enclosure	Double Seal
Configuration	Single Row
Weight	0.082 kg
Bore Size	15 mm
Outside Diameter	42 mm
Width	13 mm
Dynamic Load Rating	11,400 N
Static Load Rating	5,400 N
Limiting Speed - Grease	17,000 rpm
Factor fo	12.3
Radial Clearance	0.003 to 0.018 mm
da (min)	21 mm
Da (max)	36 mm



SKF BEARING MANUFACTURING CO.,LTD.

ra (max)	1 mm
----------	------