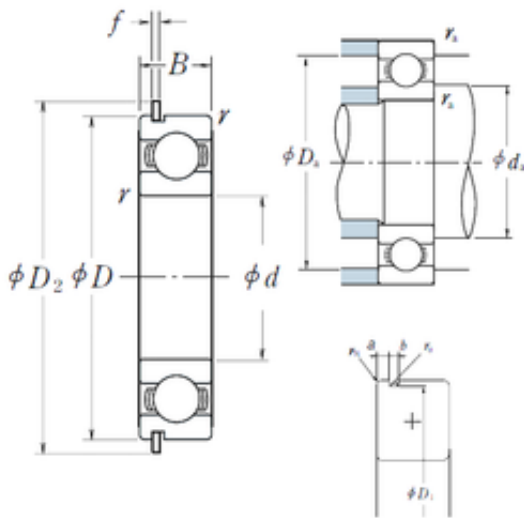




SKF BEARING MANUFACTURING CO.,LTD.



15 mm x 42 mm x 13 mm NSK 6302NR deep groove ball bearings

Bearing No. 6302NR

Size	15x42x13 mm
Bore Diameter	15 mm
Outer Diameter	42 mm
Width	13 mm
d	15 mm
D	42 mm
B	13 mm
C	13 mm
rn	0,5 mm
a	2,06 mm
b	1,35 mm
f	1,12 mm
r min.	1 mm
r0 max.	0,4 mm
D1	39,75 mm
D2	46,3 mm
da min.	20 mm
da max	22,5 mm
Da max.	37 mm
ra max.	1 mm
Weight	0,083 Kg
Basic dynamic load rating (C)	11,4 kN
Basic static load rating (C0)	5,45 kN
(Grease) Lubrication Speed	17 000 r/min
(Oil) Lubrication Speed	20 000 r/min

6302NR Bearing 2D drawings and 3D CAD models



SKF BEARING MANUFACTURING CO.,LTD.

Category	Single Row Ball Bearings
Inventory	0.0
Manufacturer Name	NSK
Minimum Buy Quantity	N/A
Weight / Kilogram	0.08
Product Group	B00308
Enclosure	Open
Precision Class	ABEC 1 ISO P0
Maximum Capacity / Filling Slot	No
Rolling Element	Ball Bearing
Snap Ring	Yes
Internal Special Features	No
Cage Material	Steel
Internal Clearance	C0-Medium
Inch - Metric	Metric
Long Description	15MM Bore; 42MM Outside Diameter; 13MM Outer Race Diameter; Open; Ball Bearing; ABEC 1 ISO P0; No Filling Slot; Yes Snap Ring; No Internal Special Features
Category	Single Row Ball Bearing
UNSPSC	31171504
Harmonized Tariff Code	8482.10.50.68
Noun	Bearing
Keyword String	Ball
Manufacturer URL	http://www.nskamericas.com
Weight / LBS	0.18
Outer Race Width	0.512 Inch 13 Millimeter
Bore	0.591 Inch 15 Millimeter
Outside Diameter	1.654 Inch 42 Millimeter
SRI	4.01



SKF BEARING MANUFACTURING CO.,LTD.

hidYobi	6302NR
LangID	1
ro	0.4
D_	42
SREX	0.04
B_	13
da min	20
hidTable	ecat_NSRDGB
Oil rpm	20000
SRE	4.21
Cy	2.9
mass	0.083
GRS rpm	17000
ra	1
SRIX	0.02
D_a	37
SRIN	0
C0	5.45
fo	12.3
SREN	0
DE_	37.438
Prod_Type3	DGBB_SR_NR_OT
DA_	7.938
bomp	0
Z_	7
yobi	6302NR
Dx	47
C_conv	11400
ALPHA_	0
SDM_	29.5
r	1
KBRG	6101



SKF BEARING MANUFACTURING CO.,LTD.

SBRG	3
DI_	21.562