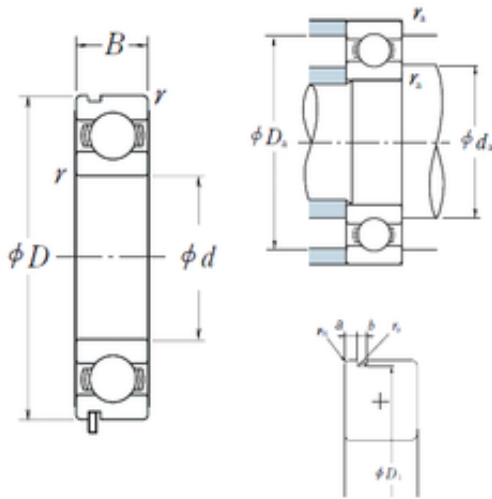




SKF BEARING MANUFACTURING CO.,LTD.



15 mm x 42 mm x 13 mm NSK 6302N deep groove ball bearings

Bearing No. 6302N

6302N Bearing 2D drawings and 3D CAD models

Size	15x42x13 mm
Bore Diameter	15 mm
Outer Diameter	42 mm
Width	13 mm
d	15 mm
D	42 mm
B	13 mm
C	13 mm
rn	0,5 mm
a	2,06 mm
b	1,35 mm
r min.	1 mm
r0 max.	0,4 mm
D1	39,75 mm
da min.	20 mm
da max	22,5 mm
Da max.	37 mm
ra max.	1 mm
Weight	0,083 Kg
Basic dynamic load rating (C)	11,4 kN
Basic static load rating (C0)	5,45 kN
(Grease) Lubrication Speed	17 000 r/min
(Oil) Lubrication Speed	20 000 r/min
SRI	4.01
hidYobi	6302N



SKF BEARING MANUFACTURING CO.,LTD.

LangID	1
ro	0.4
D_	42
SREX	0.04
B_	13
da min	20
hidTable	ecat_NSRDGB
Oil rpm	20000
SRE	4.21
mass	0.083
GRS rpm	17000
ra	1
SRIX	0.02
D_a	37
SRIN	0
C0	5.45
fo	12.3
SREN	0
DE_	37.438
Prod_Type3	DGBB_SR_N_OT
DA_	7.938
bomp	0
Z_	7
yobi	6302N
C_conv	11400
ALPHA_	0
SDM_	29.5
r	1
KBRG	6101
SBRG	3
DI_	21.562