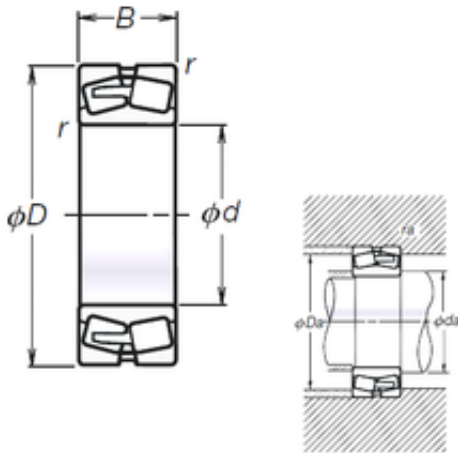




SKF BEARING MANUFACTURING CO.,LTD.



190 mm x 340 mm x 92 mm NSK
TL22238CAE4 spherical roller bearings

Bearing No. TL22238CAE4

Size	190x340x92 mm
Bore Diameter	190 mm
Outer Diameter	340 mm
Width	92 mm
d	190 mm
D	340 mm
B	92 mm
C	92 mm
r min.	4 mm
da min.	208 mm
Da min	322 mm
Da max.	296 mm
ra max.	3 mm
Weight	35,5 Kg
Basic dynamic load rating (C)	1140 kN
Basic static load rating (C0)	1730 kN
(Grease) Lubrication Speed	1 000 r/min
(Oil) Lubrication Speed	1 200 r/min
Calculation factor (e)	0,26
Calculation factor (Y0)	2,5
Calculation factor (Y2)	3,8

TL22238CAE4 Bearing 2D drawings and 3D CAD models