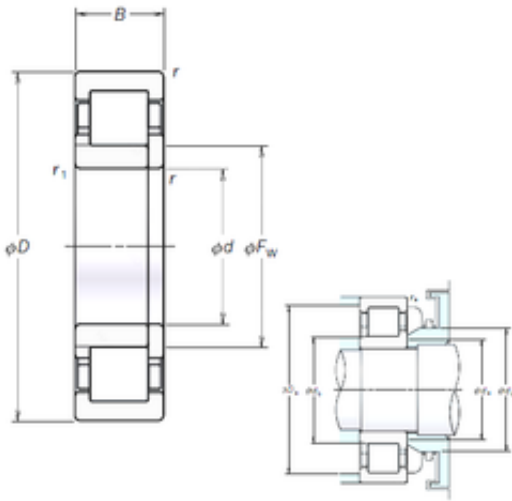




SKF BEARING MANUFACTURING CO.,LTD.



190 mm x 340 mm x 92 mm NSK NUP2238EM cylindrical roller bearings

Bearing No. NUP2238EM

NUP2238EM Bearing 2D drawings and 3D CAD models

Size	190x340x92 mm
Bore Diameter	190 mm
Outer Diameter	340 mm
Width	92 mm
d	190 mm
Fw	228 mm
D	340 mm
B	92 mm
C	92 mm
r min.	4 mm
r1 min.	4 mm
da min.	206 mm
Da max.	324 mm
db max.	223 mm
db min	206 mm
ra max.	3 mm
rb max.	3 mm
S	1,7 mm
Db max	324 mm
Weight	38,3 Kg
Basic dynamic load rating (C)	1100 kN
Basic static load rating (C0)	1670 kN
(Grease) Lubrication Speed	1600 r/min
hidYobi	NUP2238EM
LangID	1



SKF BEARING MANUFACTURING CO.,LTD.

D_	340
Macha rpm	3000
B_	92
hidTable	ecat_NSCLDR
Oil rpm	2000
rb	3
mass	39.2
GRS rpm	1600
ra	3
db max	223
TSR rpm	1900
C0	1670
DE_	308
Prod_Type3	CRB_SR_NUP
da	206
DA_	40
Z_	18
D_a max	324
yobi	NUP2238EM
dd min	247
C_conv	1100000
ALPHA_	0
SDM_	268
r	4
dc min	234
KBRG	4165
SBRG	22
r1	4
DI_	228