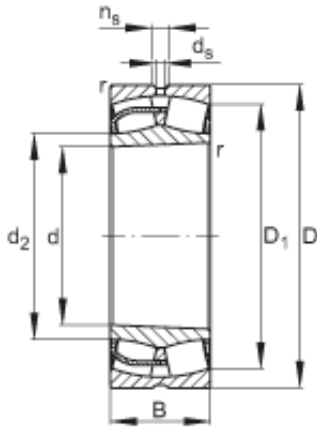




SKF BEARING MANUFACTURING CO.,LTD.



190 mm x 340 mm x 92 mm FAG 22238-E1-K
spherical roller bearings

Bearing No. 22238-E1-K

22238-E1-K Bearing 2D drawings and 3D CAD models

Size	190x340x92 mm
Bore Diameter	190 mm
Outer Diameter	340 mm
Width	92 mm
d	190 mm
D	340 mm
B	92 mm
D_1	295,2 mm
$D_{a \max}$	323 mm
d_2	225,2 mm
$d_{a \min}$	207 mm
d_s	9,5 mm
n_s	17,7 mm
$r_{a \max}$	3 mm
r_{\min}	4 mm
m	42,2 kg / Weight
C_r	1360000 N / Dynamic load rating (radial)
e	0,26
Y_1	2,6
Y_2	3,87
C_{0r}	1760000 N / Static load rating (radial)
Y_0	2,54



SKF BEARING MANUFACTURING CO.,LTD.

n_G	2480 1/min / Limiting speed
n_B	1640 1/min
C_{ur}	159000 N / Fatigue limit load, radial