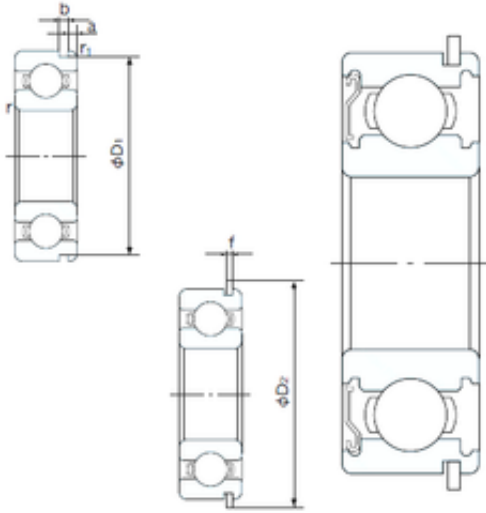




SKF BEARING MANUFACTURING CO.,LTD.



45 mm x 58 mm x 7 mm NACHI 6809ZNR deep groove ball bearings

Bearing No. 6809ZNR

6809ZNR Bearing 2D drawings and 3D CAD models

Size	45x58x7 mm
Bore Diameter	45 mm
Outer Diameter	58 mm
Width	7 mm
d	45 mm
D	58 mm
B	7 mm
C	7 mm
a	1.3 mm
b	0.95 mm
f	0.85 mm
r min.	0.3 mm
r1 min.	0.3 mm
D1	56.7 mm
D2	60.8 mm
Weight	0.042 Kg
Basic dynamic load rating (C)	5,35 kN
Basic static load rating (C0)	4,9 kN
(Grease) Lubrication Speed	11000 r/min
Enclosure	Single Shield with Snap Ring
Bore Type	Cylindrical Bore
Configuration	Single Row
Bore Size	45 mm
Outside Diameter	58 mm
Width	7 mm



SKF BEARING MANUFACTURING CO.,LTD.

Fillet Radius/Chamfer	0.3 mm
r1	0.3 mm
Snap Ring Width	0.9 mm
Snap Ring Outside Diameter	60.8 mm
D1 (max)	56.7 mm
a (max)	1.3 mm
b (min)	1 mm
Dynamic Load Rating	5,350 N
Static Load Rating	4,900 N
Limiting Speed - Grease	11,000 rpm
Limiting Speed - Oil	13,000 rpm
Factor fo	16.1
Radial Clearance	0.006 to 0.023 mm
da (min)	47 mm
Da (max)	56 mm
Dx (min)	61.5 mm
ra (max)	0.3 mm
Cy (max)	1.8 mm