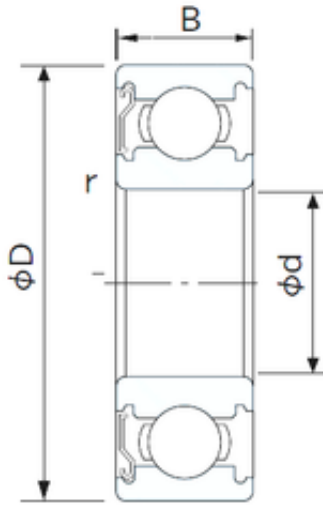




SKF BEARING MANUFACTURING CO.,LTD.



45 mm x 58 mm x 7 mm NACHI 6809ZE deep groove ball bearings

Bearing No. 6809ZE

Size	45x58x7 mm
Bore Diameter	45 mm
Outer Diameter	58 mm
Width	7 mm
d	45 mm
D	58 mm
B	7 mm
C	7 mm
r min.	0.3 mm
da min.	47 mm
Da max.	56 mm
ra max.	0.3 mm
Weight	0.040 Kg
Basic dynamic load rating (C)	5,35 kN
Basic static load rating (C0)	4,9 kN
(Grease) Lubrication Speed	11000 r/min

6809ZE Bearing 2D drawings and 3D CAD models