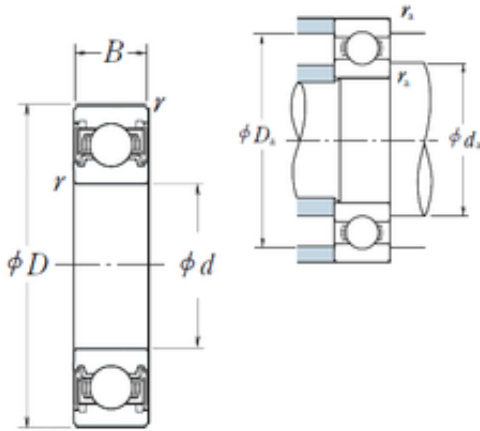




SKF BEARING MANUFACTURING CO.,LTD.



45 mm x 58 mm x 7 mm NSK 6809VV deep groove ball bearings

Bearing No. 6809VV

6809VV Bearing 2D drawings and 3D CAD models

Size	45x58x7 mm
Bore Diameter	45 mm
Outer Diameter	58 mm
Width	7 mm
d	45 mm
D	58 mm
B	7 mm
C	7 mm
r min.	0,3 mm
da min.	47 mm
da max	47,5 mm
Da max.	56 mm
ra max.	0,3 mm
Weight	0,038 Kg
Basic dynamic load rating (C)	6,6 kN
Basic static load rating (C0)	6,15 kN
(Grease) Lubrication Speed	11 000 r/min
Category	Single Row Ball Bearings
Inventory	0.0
Manufacturer Name	NSK
Minimum Buy Quantity	N/A
Weight / Kilogram	0.02
EAN	0029176030260
Product Group	B00308
Enclosure	2 Seals



SKF BEARING MANUFACTURING CO.,LTD.

Precision Class	ABEC 1 ISO P0
Maximum Capacity / Filling Slot	No
Rolling Element	Ball Bearing
Snap Ring	No
Internal Special Features	No
Cage Material	Steel
Enclosure Type	Non-Contact Seal
Internal Clearance	C0-Medium
Inch - Metric	Metric
Long Description	45MM Bore; 58MM Outside Diameter; 7MM Outer Race Diameter; 2 Seals; Ball Bearing; ABEC 1 ISO P0; No Filling Slot; No Snap Ring; No Internal Special Features
Category	Single Row Ball Bearing
UNSPSC	31171504
Harmonized Tariff Code	8482.10.50.68
Noun	Bearing
Keyword String	Ball
Manufacturer URL	http://www.nskamericas.com
Manufacturer Item Number	6809VV
Weight / LBS	0.04
Bore	1.772 Inch 45 Millimeter
Outside Diameter	2.283 Inch 58 Millimeter
Outer Race Width	0.276 Inch 7 Millimeter
bore diameter:	45 mm
snap ring included:	Without Snap Ring
outside diameter:	58 mm
internal clearance:	C0
overall width:	7 mm
dynamic load capacity:	5350 N



SKF BEARING MANUFACTURING CO.,LTD.

bore type:	Round
precision rating:	ABEC1, P0
closure type:	Double Sealed
finish/coating:	Uncoated
row type & fill slot:	Single Row Non-Fill Slot
cage material:	Steel Cage
SRI	2.05
hidYobi	6809VV
LangID	1
D_	58
SREX	0.015
B_	7
da min	47
hidTable	ecat_NSRDGB
SRE	2.05
mass	0.038
GRS rpm	11000
ra	0.3
SRIX	0.015
D_a	56
SRIN	-0.015
C0	6.15
fo	17.2
SREN	-0.015
DE_	55.469
Prod_Type3	DGGBB_SR_VV
DA_	3.969
bomp	0
Z_	23
yobi	6809VV
C_conv	6600
ALPHA_	0



SKF BEARING MANUFACTURING CO.,LTD.

SDM_	51.5
r	0.3
KBRG	6151
SBRG	18
DI_	47.531