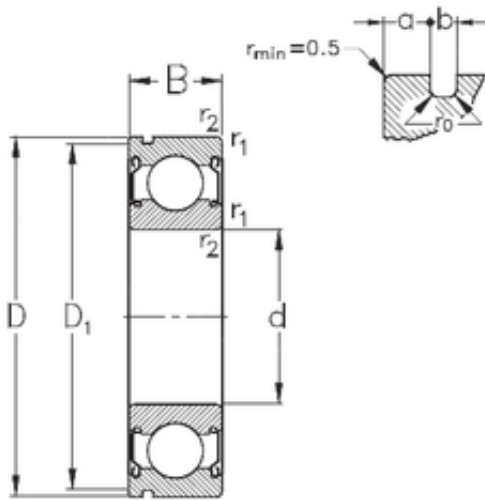




SKF BEARING MANUFACTURING CO.,LTD.



50 mm x 110 mm x 27 mm NKE 6310-2Z-N deep groove ball bearings

Bearing No. 6310-2Z-N

Size	50x110x27 mm
Bore Diameter	50 mm
Outer Diameter	110 mm
Width	27 mm
d	50 mm
D	110 mm
B	27 mm
C	27 mm
a	3,28 mm
b	2,7 mm
f	2,46 mm
r1 min.	2 mm
r2 min.	2 mm
D1	106,81 mm
D2	116,6 mm
Weight	1,1 Kg
Basic dynamic load rating (C)	62 kN
Basic static load rating (C0)	38 kN

6310-2Z-N Bearing 2D drawings and 3D CAD models