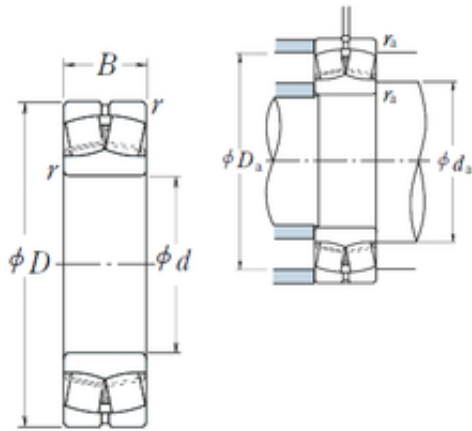




SKF BEARING MANUFACTURING CO.,LTD.



50 mm x 110 mm x 27 mm NSK 21310EAE4 spherical roller bearings

Bearing No. 21310EAE4

21310EAE4 Bearing 2D drawings and 3D CAD models

Size	50x110x27 mm
Bore Diameter	50 mm
Outer Diameter	110 mm
Width	27 mm
d	50 mm
D	110 mm
B	27 mm
C	27 mm
r min.	2 mm
da min.	60 mm
da max	72 mm
Da min	98 mm
Da max.	100 mm
ra max.	2 mm
Weight	1,21 Kg
Basic dynamic load rating (C)	142 kN
Basic static load rating (C0)	174 kN
(Grease) Lubrication Speed	4300 r/min
(Oil) Lubrication Speed	5300 r/min
Calculation factor (e)	0,23
Calculation factor (Y0)	2,9
Calculation factor (Y2)	4,4
Category	Spherical Roller Bearings
Inventory	0.0
Manufacturer Name	NSK



SKF BEARING MANUFACTURING CO.,LTD.

Minimum Buy Quantity	N/A
Weight / Kilogram	1.28
EAN	0029176410659
Product Group	B04311
Internal Clearance	C0-Medium
Mounting Method	Shaft Mount
Rolling Element	Spherical Roller Bearing
Bore Profile	Straight
Cage Material	Steel
Enclosure	Open
Number of Rows of Rollers	Double Row
Relubricatable	Yes
Withdrawal Sleeve	Not Applicable
Inch - Metric	Metric
Long Description	50MM Straight Bore; 110MM Outside Diameter; 27MM Width; C0-Medium Clearance; Shaft Mount; Double Row of Spherical Roller Bearings; Steel Cage Material; Open Enclosure; Relubricatable
Category	Spherical Roller Bearing
UNSPSC	31171510
Harmonized Tariff Code	84823080
Noun	Bearing
Keyword String	Spherical
Manufacturer URL	http://www.nskamericas.com
Manufacturer Item Number	21310EAE4
Weight / LBS	1.28
Outside Diameter	4.331 Inch 110 Millimeter
Width	1.063 Inch 27 Millimeter
Adapter Part Number	Not Applicable Inch Not Applicable Millimeter



SKF BEARING MANUFACTURING CO.,LTD.

Bore	1.969 Inch 50 Millimeter
bore diameter:	50 mm
maximum rpm:	5600 RPM
outside diameter:	110 mm
operating temperature range:	Maximum of +200 ° C
overall width:	27 mm
cage material:	Steel
bore type:	Straight
bearing material:	Steel
outer ring type:	Not Split
cage type:	Inner Ring Guided
internal clearance:	C0
precision rating:	RBEC 1 (ISO Class Normal)
closure type:	Open
finish/coating:	Uncoated
lubrication hole type:	Lubrication Groove & Hole
outer ring width:	27 mm
dynamic load capacity:	178000 N
fillet radius:	2 mm
static load capacity:	174000 N
series:	213
Y3	3
hidYobi	21310EAE4
LangID	1
Y1	3
D_	110
Y2	4.4
Macha rpm	8000
B_	27
da min	60
hidTable	ecat_NSSPHR



SKF BEARING MANUFACTURING CO.,LTD.

Oil rpm	5600
Y0	2.9
mass	1.21
GRS rpm	4500
ra	2
TSR rpm	5300
C0	174
DE_	99.856
X0	1
Prod_Type3	SRB_CTB_CB
X1	1
X2	0.67
SIR	10.3
e	0.23
DA_	13.02
bomp	21310EAE4
Z_	19
ALP2	38
ALP1	8
ALP3	0
D_a max	100
D_a min	98
yobi	21310EAE4
HPS	HPS
ALPHA_	0.151
SDM_	86.983
r	2
KBRG	2328
SBRG	3
DI_	74.111