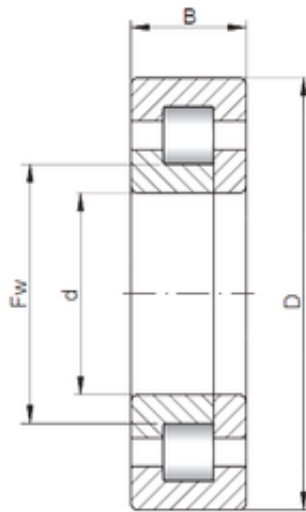




# SKF BEARING MANUFACTURING CO.,LTD.



50 mm x 110 mm x 27 mm ISO NUP310  
cylindrical roller bearings

Bearing No. NUP310

|                |              |
|----------------|--------------|
| Size           | 50x110x27 mm |
| Bore Diameter  | 50 mm        |
| Outer Diameter | 110 mm       |
| Width          | 27 mm        |
| d              | 50 mm        |
| D              | 110 mm       |
| B              | 27 mm        |
| C              | 27 mm        |

NUP310 Bearing 2D drawings and 3D CAD models