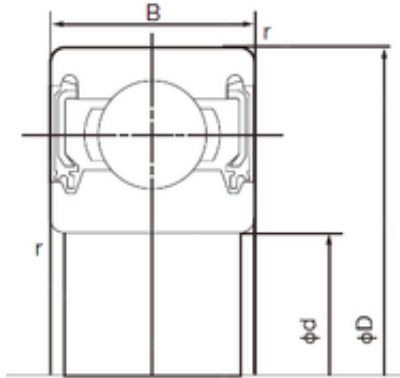




SKF BEARING MANUFACTURING CO.,LTD.

50 mm x 110 mm x 27 mm NACHI 6310-2NKE9 deep groove ball bearings



Bearing No. 6310-2NKE9

Size	50x110x27 mm
Bore Diameter	50 mm
Outer Diameter	110 mm
Width	27 mm
d	50 mm
D	110 mm
B	27 mm
C	27 mm
r min.	2.0 mm
Basic dynamic load rating (C)	62 kN
Basic static load rating (C0)	38 kN
Bore Type	Cylindrical Bore
Enclosure	Double Seal
Configuration	Single Row
Weight	1.070 kg
Bore Size	50 mm
Outside Diameter	110 mm
Width	27 mm
Dynamic Load Rating	62,000 N
Static Load Rating	38,000 N
Limiting Speed - Grease	6,400 rpm
Factor fo	13.1
Radial Clearance	0.006 to 0.023 mm
da (min)	60 mm
Da (max)	100 mm

6310-2NKE9 Bearing 2D drawings and 3D CAD models



SKF BEARING MANUFACTURING CO.,LTD.

ra (max)	2 mm
----------	------