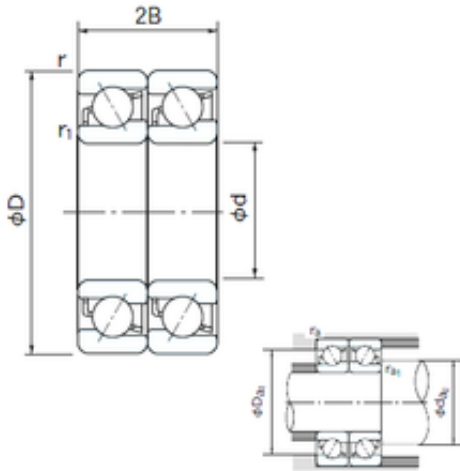




# SKF BEARING MANUFACTURING CO.,LTD.



50 mm x 110 mm x 27 mm NACHI 7310BDT  
angular contact ball bearings

Bearing No. 7310BDT

7310BDT Bearing 2D drawings and 3D CAD models

Size	50x110x27 mm
Bore Diameter	50 mm
Outer Diameter	110 mm
Width	27 mm
d	50 mm
D	110 mm
B	27 mm
C	27 mm
Angle ( ° )	40 °
a	20.1 mm
r min.	2 mm
r1 min.	1 mm
2B	54 mm
da min.	56 mm
Da max.	104 mm
ra max.	1 mm
Weight	1.14 Kg
Basic dynamic load rating (C)	114 kN
Basic static load rating (C0)	98,5 kN
(Grease) Lubrication Speed	4000 r/min
Bore Type	Cylindrical Bore
Enclosure	Open
Configuration	Duplex
Bore Size	50 mm
Outside Diameter	110 mm



## SKF BEARING MANUFACTURING CO.,LTD.

Width	27 mm
Fillet Radius/Chamfer	2 mm
r1	1 mm
Dynamic Load Rating	114,000 N
Static Load Rating	98,500 N
Limiting Speed - Grease	4,000 rpm
Limiting Speed - Oil	5,300 rpm
da1 (min)	60 mm
da2 (min)	56 mm
Da1 (max)	100 mm
Da2 (max)	104 mm
ra (max)	2 mm
ra1 (max)	1 mm