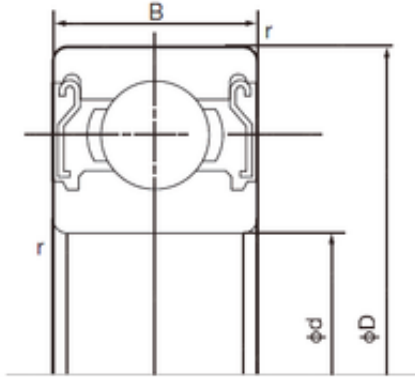




SKF BEARING MANUFACTURING CO.,LTD.

65 mm x 120 mm x 23 mm NACHI 6213ZZE deep groove ball bearings



Bearing No. 6213ZZE

6213ZZE Bearing 2D drawings and 3D CAD models

Size	65x120x23 mm
Bore Diameter	65 mm
Outer Diameter	120 mm
Width	23 mm
d	65 mm
D	120 mm
B	23 mm
C	23 mm
r min.	1.5 mm
da min.	74 mm
Da max.	111 mm
ra max.	1.5 mm
Weight	0.990 Kg
Basic dynamic load rating (C)	57 kN
Basic static load rating (C0)	40 kN
Category	Single Row Ball Bearings
Inventory	0.0
Manufacturer Name	NACHI
Minimum Buy Quantity	N/A
Weight / Kilogram	0
Product Group	B00308
Enclosure	2 Metal Shields
Precision Class	ABEC 1 ISO P0
Maximum Capacity / Filling Slot	No



SKF BEARING MANUFACTURING CO.,LTD.

Rolling Element	Ball Bearing
Snap Ring	No
Internal Special Features	No
Cage Material	Steel
Internal Clearance	C0-Medium
Inch - Metric	Metric
Long Description	65MM Bore; 120MM Outside Diameter; 23MM Outer Race Width; 2 Metal Shields; Ball Bearing; ABEC 1 ISO P0; No Filling Slot; No Snap Ring; No Internal Special Features; C0-Medium Internal Clearance; Ste
Other Features	Deep Groove
Category	Single Row Ball Bearing
UNSPSC	31171504
Harmonized Tariff Code	8482.10.50.68
Noun	Bearing
Keyword String	Ball
Manufacturer URL	http://www.nachiamerica.com
Outer Race Width	0.906 Inch 23 Millimeter
Inner Race Width	0 Inch 0 Millimeter
Bore	2.559 Inch 65 Millimeter
Outside Diameter	4.724 Inch 120 Millimeter
Bore Type	Cylindrical Bore
Configuration	Single Row
Bore Size	65 mm
Width	23 mm
Fillet Radius/Chamfer	1.5 mm
Dynamic Load Rating	57,000 N
Static Load Rating	40,000 N
Limiting Speed - Grease	5,500 rpm



SKF BEARING MANUFACTURING CO.,LTD.

Factor f_o	14.4
Radial Clearance	0.008 to 0.028 mm
d_a (min)	74 mm
D_a (max)	111 mm
r_a (max)	1.5 mm