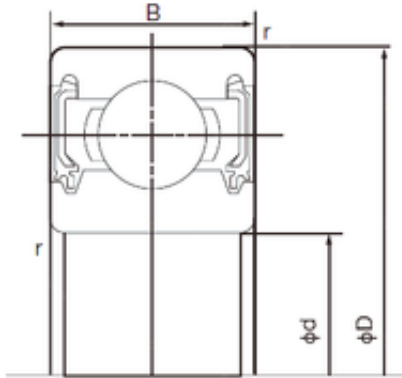




SKF BEARING MANUFACTURING CO.,LTD.

65 mm x 120 mm x 23 mm NACHI 6213-2NKE
deep groove ball bearings



Bearing No. 6213-2NKE

6213-2NKE Bearing 2D drawings and 3D CAD models

Size	65x120x23 mm
Bore Diameter	65 mm
Outer Diameter	120 mm
Width	23 mm
d	65 mm
D	120 mm
B	23 mm
C	23 mm
r min.	1.5 mm
da min.	74 mm
Da max.	111 mm
ra max.	1.5 mm
Weight	0.990 Kg
Basic dynamic load rating (C)	57 kN
Basic static load rating (C0)	40 kN
Bore Type	Cylindrical Bore
Enclosure	Double Seal
Configuration	Single Row
Bore Size	65 mm
Outside Diameter	120 mm
Width	23 mm
Dynamic Load Rating	57,000 N
Static Load Rating	40,000 N
Limiting Speed - Grease	5,500 rpm
Factor fo	14.4



SKF BEARING MANUFACTURING CO.,LTD.

Radial Clearance	0.008 to 0.028 mm
da (min)	74 mm
Da (max)	111 mm
ra (max)	1.5 mm