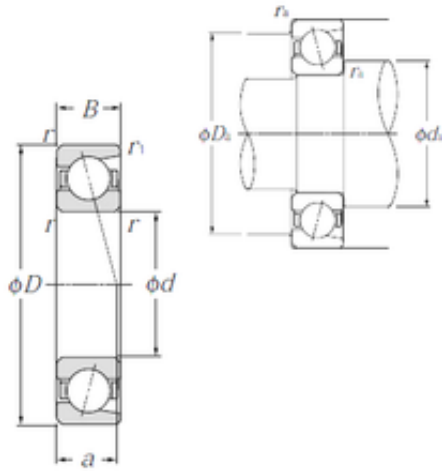




# SKF BEARING MANUFACTURING CO.,LTD.

## 65 mm x 120 mm x 23 mm NTN 7213 angular contact ball bearings



Bearing No. 7213

Size	65x120x23 mm
Bore Diameter	65 mm
Outer Diameter	120 mm
Width	23 mm
d	65 mm
D	120 mm
B	23 mm
C	23 mm
Angle ( ° )	25 °
a	38 mm
r min.	1,5 mm
r1 min.	1 mm
da min.	73,5 mm
db min	70,5 mm
ra max.	1,5 mm
Weight	0,962 Kg
Basic dynamic load rating (C)	70,5 kN
Basic static load rating (C0)	58 kN
(Grease) Lubrication Speed	6 100 r/min
Contact angle	30 °
rs min	1.5 mm
r1s min	1 mm
Mass	0.96 kg
Dynamic load, C	70.5 kN
Static load, C0	58 kN

7213 Bearing 2D drawings and 3D CAD models



## SKF BEARING MANUFACTURING CO.,LTD.

Fatigue limit load, Cu	2.65 kN
Nlim (oil)	8,100 rpm
Nlim (grease)	6,100 rpm
Min operating temperature, Tmin	-40 ° C
Max operating temperature, Tmax	120 ° C
da min	73.5 mm
Da max	111.5 mm
Db max	114.5 mm
r1a max	1 mm
ra max	1 mm
Category	Angular Contact Ball Bearings
Inventory	0.0
Manufacturer Name	NTN
Minimum Buy Quantity	N/A
Weight / Kilogram	1.022
Product Group	B00308
Enclosure	Open
Flush Ground	No
Rolling Element	Ball Bearing
Number of Rows of Balls	Single Row
Precision Class	ABEC 1   ISO P0
Maximum Capacity / Filling Slot	No
Snap Ring	No
Cage Material	Steel
Contact Angle	30 Degree
Internal Clearance	C0-Medium
Number of Bearings	1 (Single)
Inch - Metric	Metric
Long Description	65MM Bore; 120MM Outside Diameter; 23MM



## SKF BEARING MANUFACTURING CO.,LTD.

	Width; Open; No Flush Ground; Ball Bearing; Single Row of Balls; ABEC 1   ISO P0; No Filling Slot; No Snap Ring; C0-Medium; Steel Cage; 30 Degree; 1 (Single)
Category	Angular Contact Ball Bearing
UNSPSC	31171531
Harmonized Tariff Code	8482.10.50.28
Noun	Bearing
Keyword String	Angular Contact
Manufacturer URL	<a href="http://www.ntnamerica.com">http://www.ntnamerica.com</a>
Width	0.906 Inch   23 Millimeter
Outside Diameter	4.724 Inch   120 Millimeter
Bore	2.559 Inch   65 Millimeter