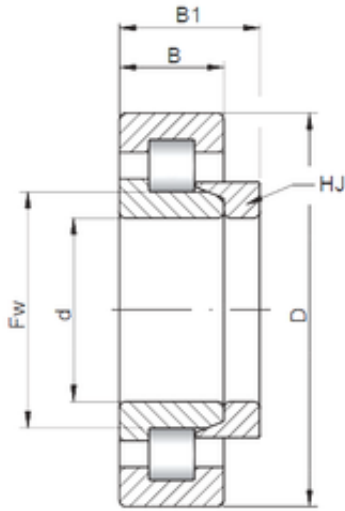




SKF BEARING MANUFACTURING CO.,LTD.



65 mm x 120 mm x 23 mm Loyal NH213 E cylindrical roller bearings

Bearing No. NH213 E

Size	65x120x23 mm
Bore Diameter	65 mm
Outer Diameter	120 mm
Width	23 mm
d	65 mm
Fw	79 mm
D	120 mm
B	23 mm
C	23 mm
B1	6 mm
B2	10 mm
Weight	1,179 Kg
Basic dynamic load rating (C)	108 kN
Basic static load rating (C0)	119 kN
(Grease) Lubrication Speed	5300 r/min

NH213 E Bearing 2D drawings and 3D CAD models