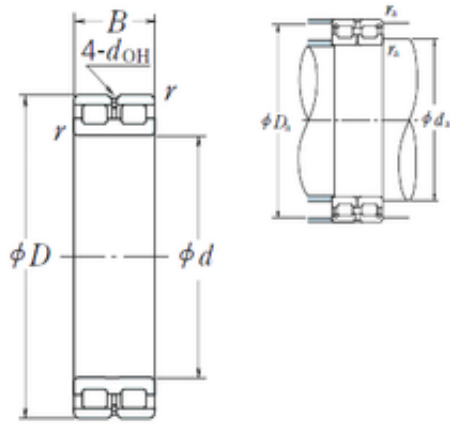




# SKF BEARING MANUFACTURING CO.,LTD.



## 80 mm x 110 mm x 30 mm NSK RSF-4916E4 cylindrical roller bearings

Bearing No. RSF-4916E4

RSF-4916E4 Bearing 2D drawings and 3D CAD models

Size	80x110x30 mm
Bore Diameter	80 mm
Outer Diameter	110 mm
Width	30 mm
d	80 mm
D	110 mm
B	30 mm
C	30 mm
r min.	1 mm
da min.	85 mm
Da max.	105 mm
ra max.	1 mm
Weight	0,89 Kg
Basic dynamic load rating (C)	109 kN
Basic static load rating (C0)	191 kN
(Grease) Lubrication Speed	1300 r/min
hidYobi	RSF-4916E4
LangID	1
D_	110
B_	30
hidTable	ecat_NSCLDRS
Oil rpm	1300
mass	0.89
GRS rpm	2600
ra	1



## SKF BEARING MANUFACTURING CO.,LTD.

da_min	85
C0	191
DE_	103
Prod_Type3	CRB_FRFS_OT_FREE
DA_	8
Z_	37
yobi	RSF-4916E4
da_max	105
SDM_	95
r	1
KBRG	4210
disp	2
DI_	87
doh	3