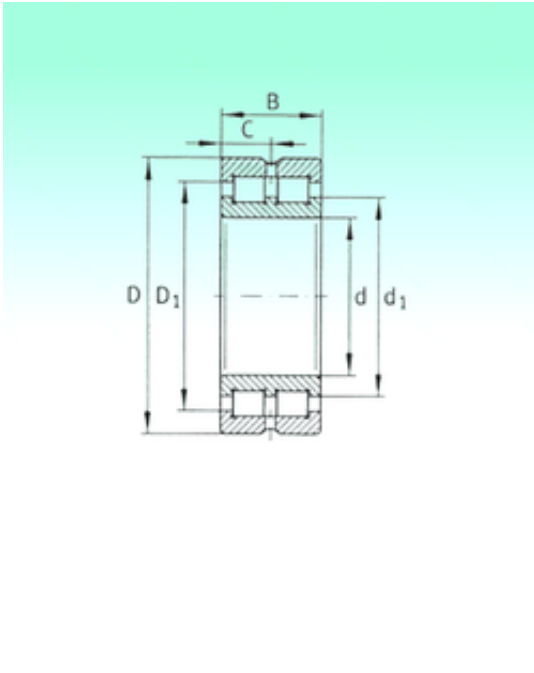




# SKF BEARING MANUFACTURING CO.,LTD.



SL014916 Bearing 2D drawings and 3D CAD models

80 mm x 110 mm x 30 mm NBS SL014916  
cylindrical roller bearings

Bearing No. SL014916

Size	80x110x30 mm
Bore Diameter	80 mm
Outer Diameter	110 mm
Width	30 mm
d	80 mm
D	110 mm
B	30 mm
C	30 mm
d1	91,4 mm
C	15 mm
D1	96,2 mm
Weight	0,88 Kg
Basic dynamic load rating (C)	115 kN
Basic static load rating (C0)	211 kN